

TRANSFORMERS™

BUMBLEBEE™

VS

BARRICADE™



NOTE: Some parts are made to detach if excessive force is applied and are designed to be reattached if separation occurs. Adult supervision may be necessary for younger children.



WARNING:

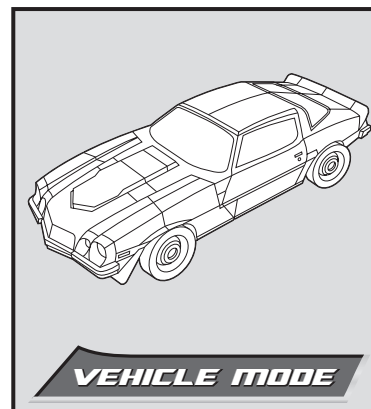
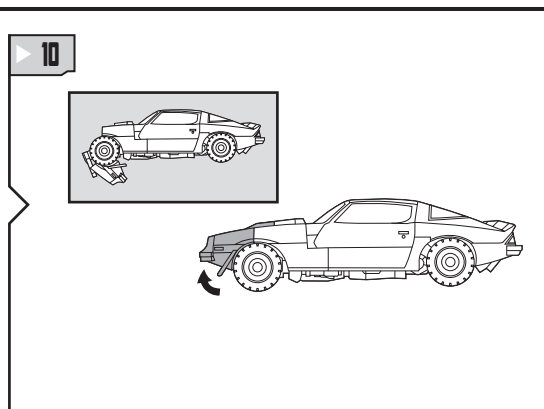
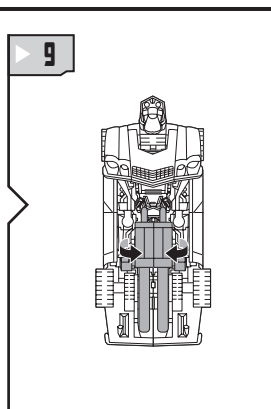
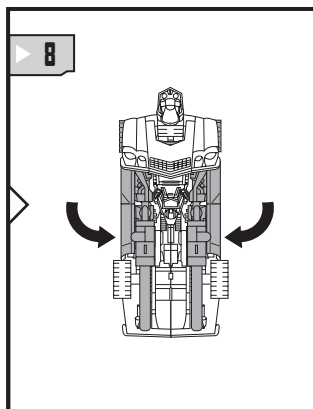
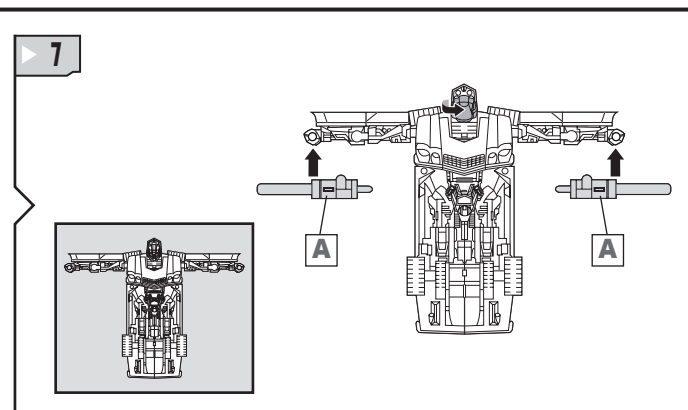
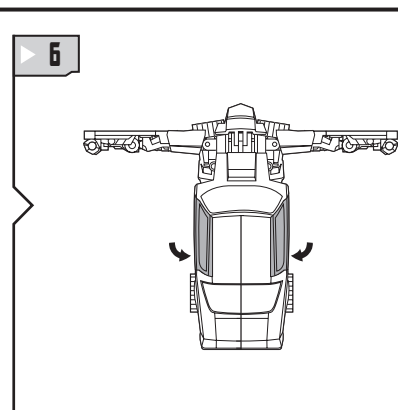
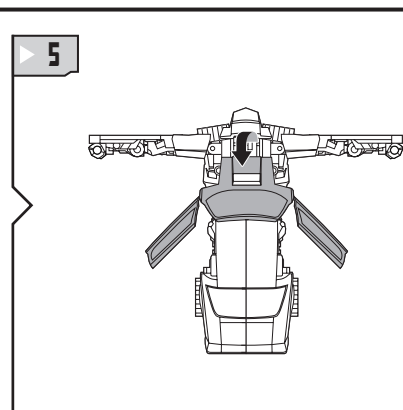
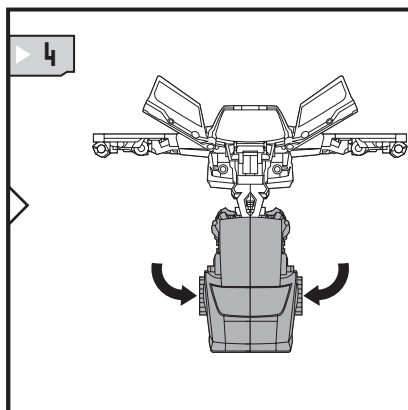
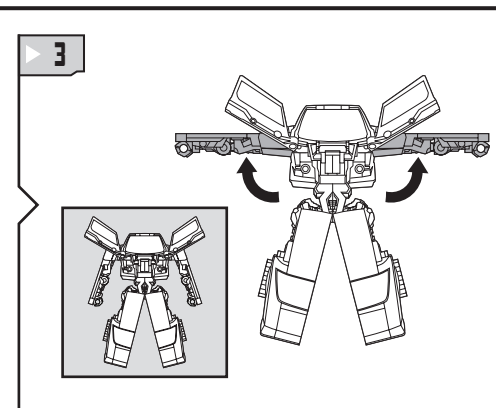
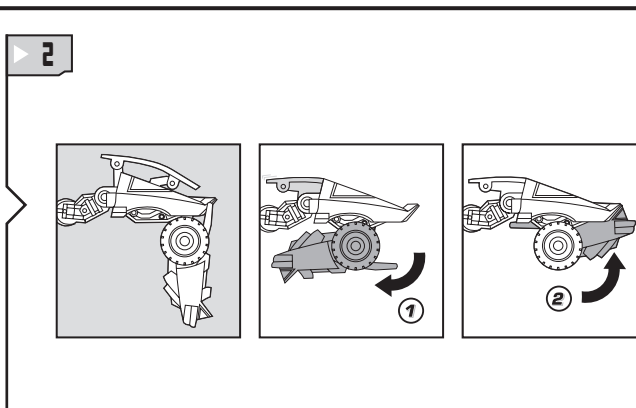
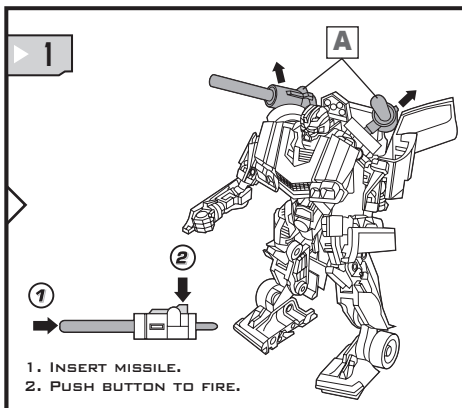
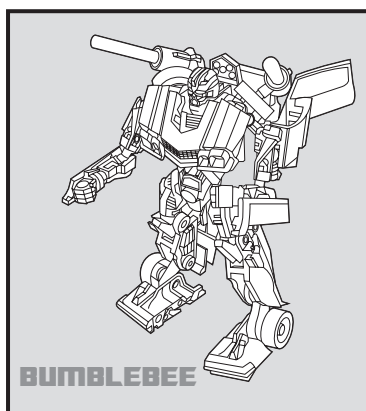
CHOKING HAZARD—Small parts.
Not for children under 3 years.

AGES 5+

82993

TRANSFORMERS.COM

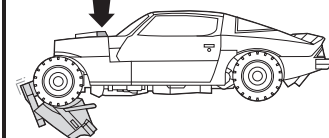
CHANGING TO VEHICLE

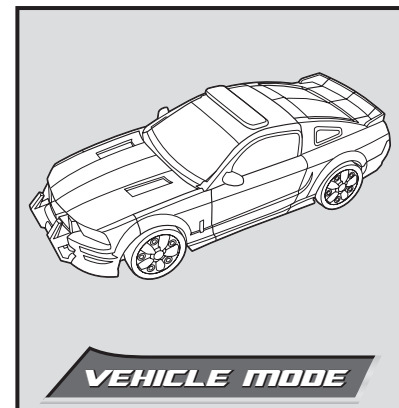
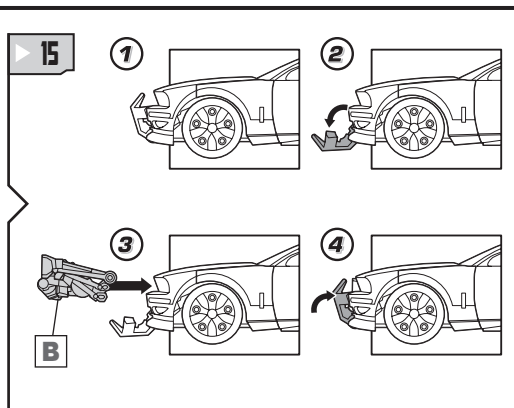
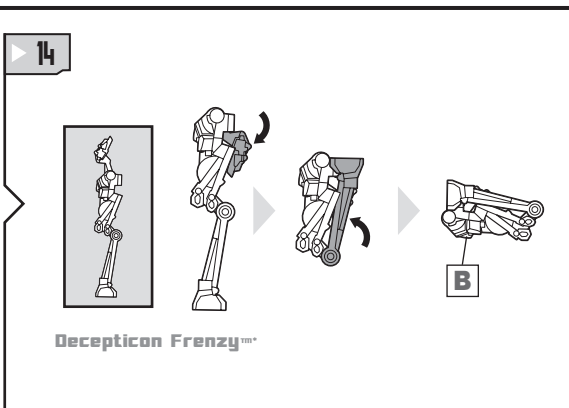
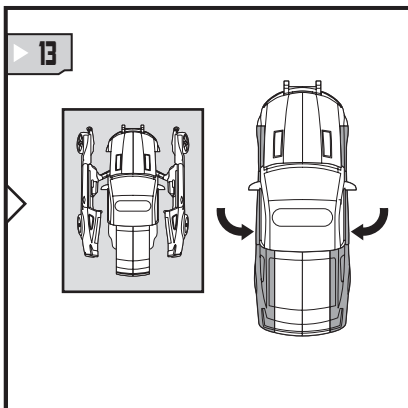
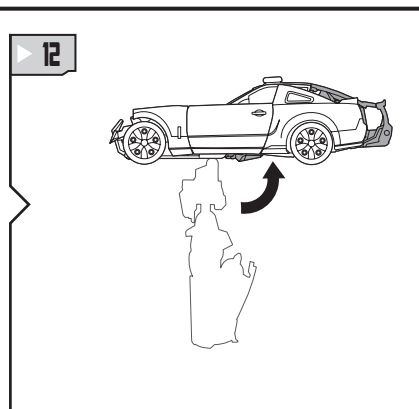
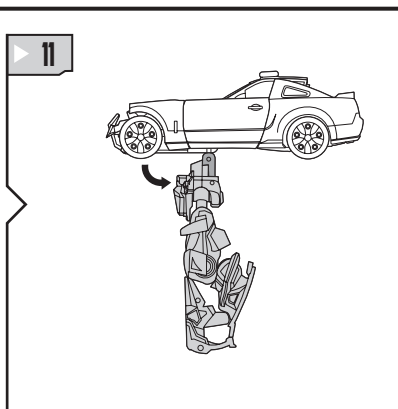
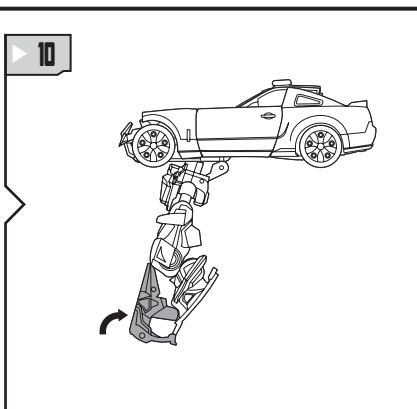
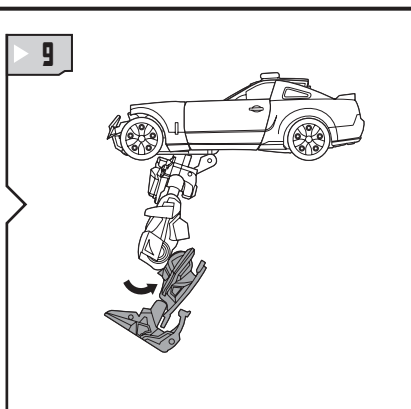
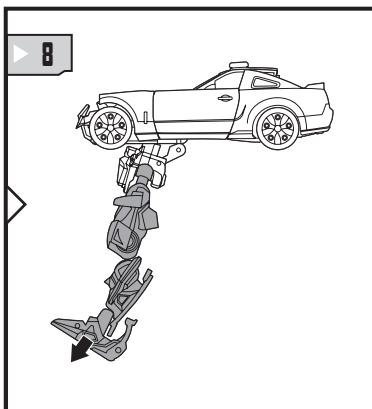
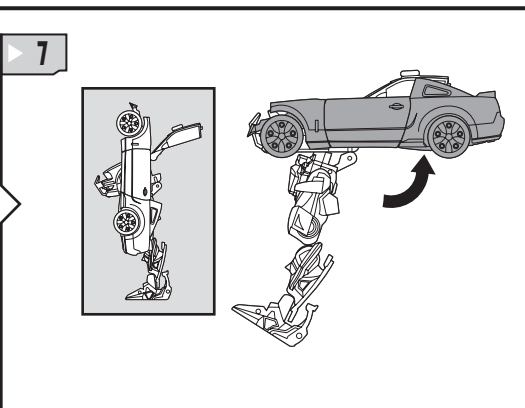
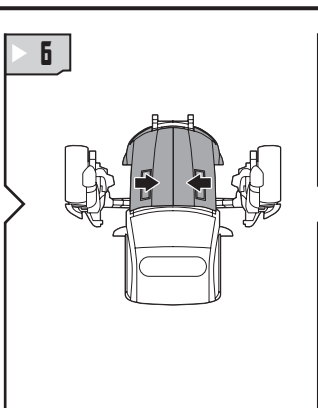
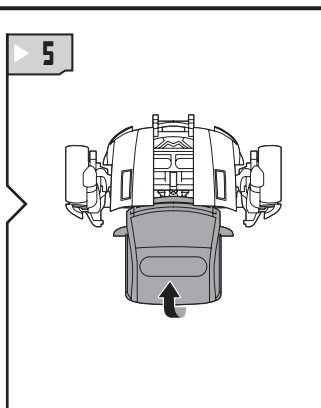
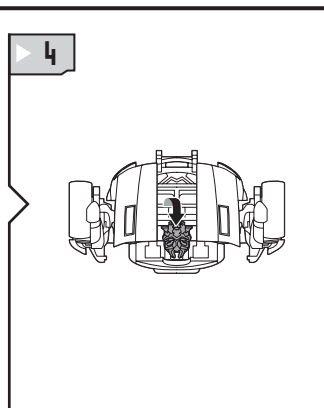
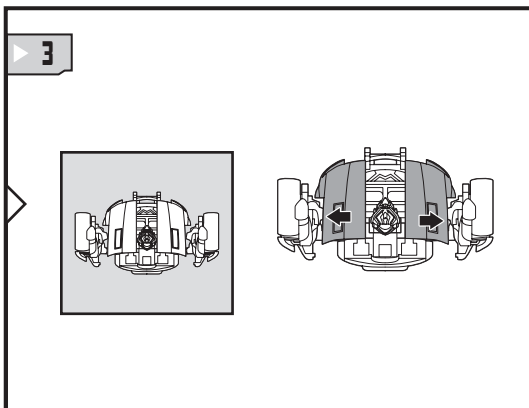
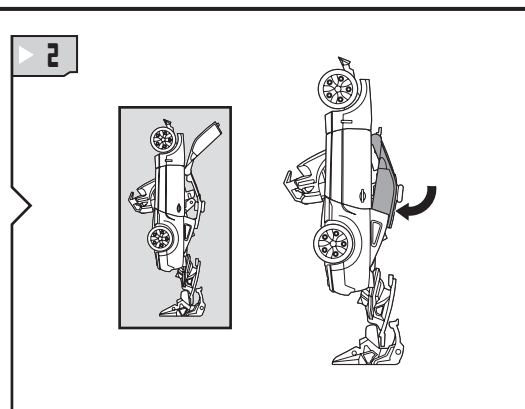
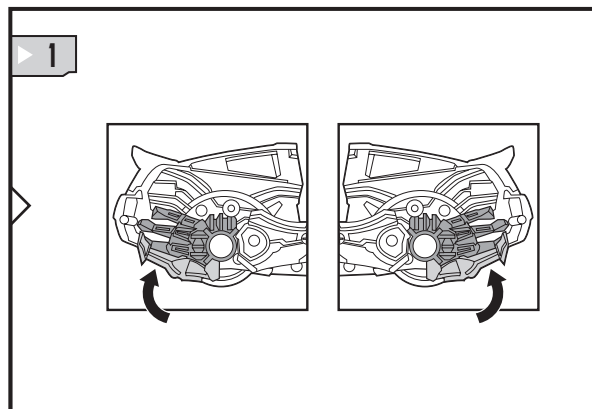
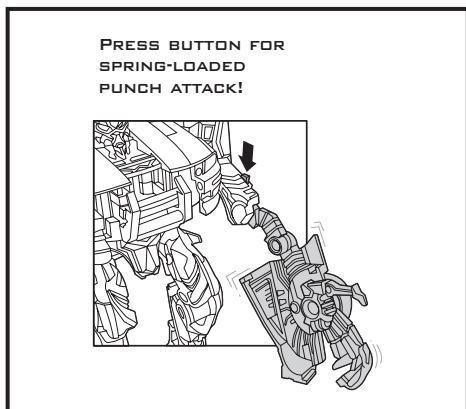
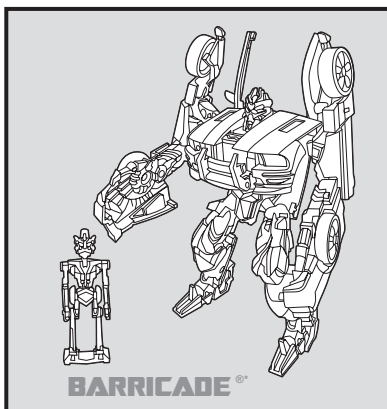


REVERSE ORDER OF INSTRUCTIONS
TO CONVERT BACK INTO ROBOT.

TO BEGIN CONVERSION
BACK TO ROBOT.

TO PREVENT
BREAKAGE, PUSH
HERE TO START
CONVERSION





REVERSE ORDER OF INSTRUCTIONS TO CONVERT BACK INTO ROBOT.

Some poses may require hand support.



© 2006 DreamWorks LLC and Paramount Pictures Corporation
 ® and/or TM* & © 2006 Hasbro. All Rights Reserved.
 TM & © denote U.S. Trademarks.
 Manufactured under license from Tomly Company, Ltd.



DREAMWORKS PICTURES



Camaro and all related Emblems and vehicle body designs are General Motors Trademarks used under license to Hasbro, Inc.



Saleen® and S281 are registered trademarks of Saleen Inc. used under license.

TRANSFORMERS.COM

P/N 6670160001



Not suitable for children under 3 years because of small parts – choking hazard.